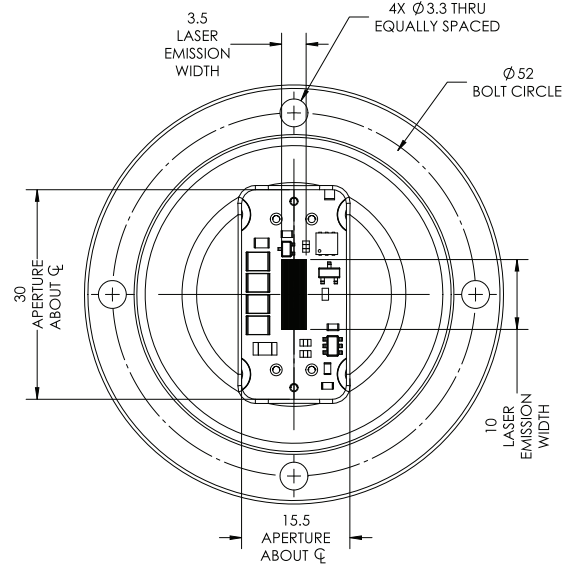
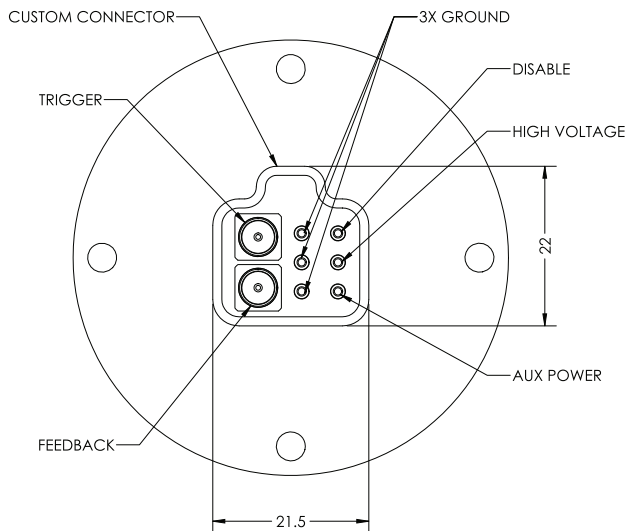
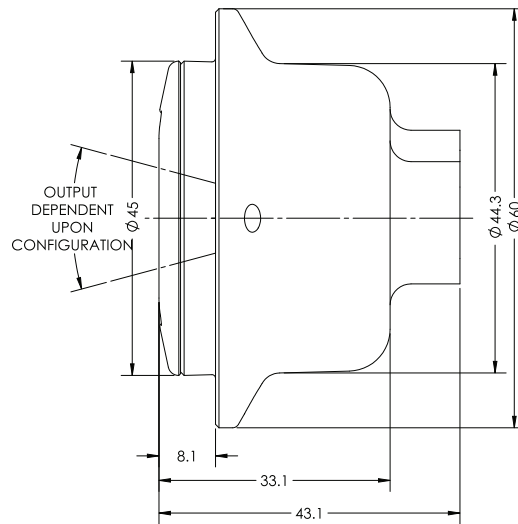
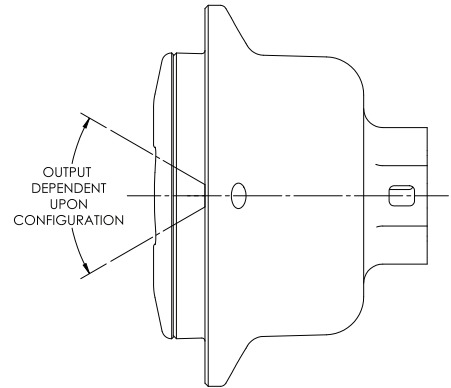
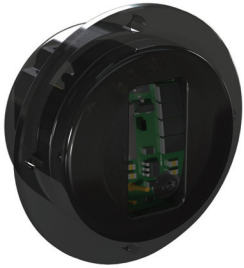


DIRECT DIODE SOURCES

Lidar Sources

High Beam™ & Low Beam™



TYPICAL SPECIFICATIONS

760nm - 1100nm

TYPICAL OPTICAL PARAMETERS (@25° C)	Units	Typical Value	
		High Beam™	Low Beam™
Peak Power	W	10000	3000
Operation Mode		Pulsed	
Energy per Pulse	μJ	200	15
Pulse width	nsec	20	5
Frequency	kHz	1	
FOV	deg	20 x 60	
Wavelength	nm	905	

