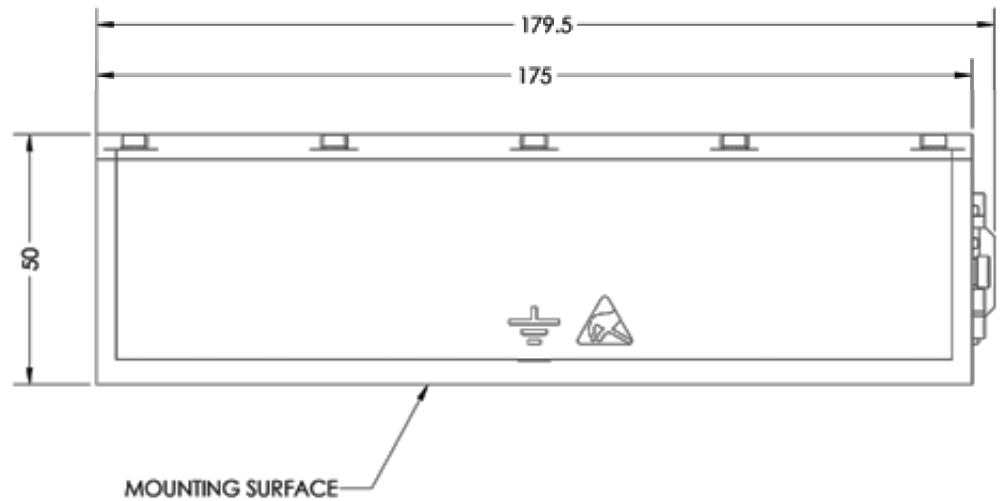
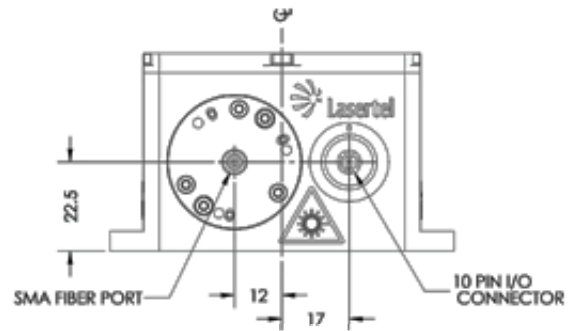
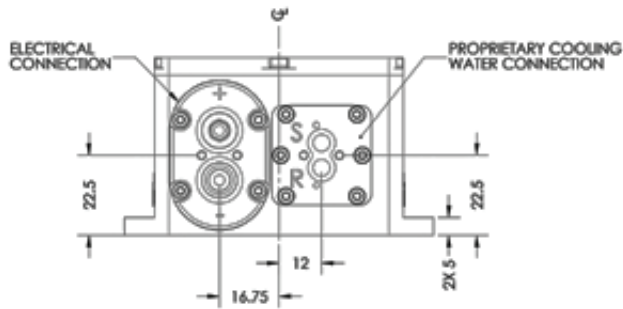
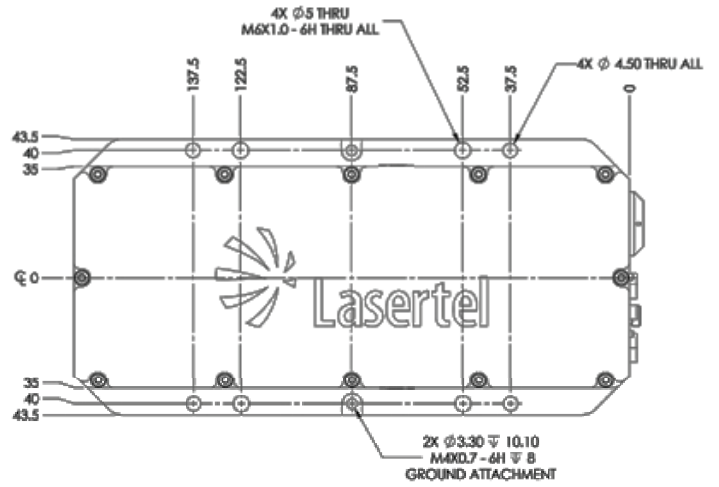


# FIBER COUPLED LASER DIODE

# F5



Lasertel products proudly made in the USA  
 P: +1 877.844.1444 E: SALES@LASERTEL.COM

# TYPICAL SPECIFICATIONS

## 760nm - 1100nm

TYPICAL OPTICAL PARAMETERS (@25 °C)	Units	Typical Value			
Output Power	W	200	600	1000	6000
Operation Mode		CW			Pulsed
Spectral Width	nm	4			3.5
Fiber Core Diameter	µm	200	400	800	200
Fiber Length	m	0.5			
Fiber NA	-	0.22			
Fiber Termination	-	SMA905			
Operating Current	A	17	35	75	100
Operating Voltage	V	36	42		240

